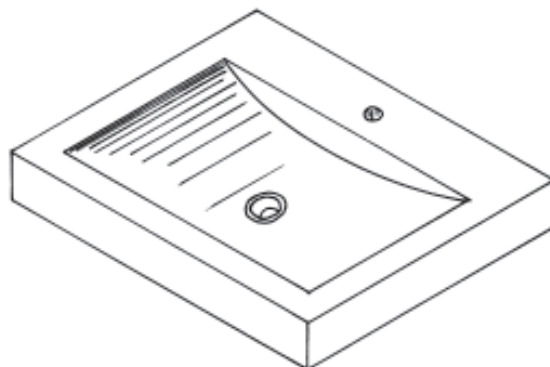
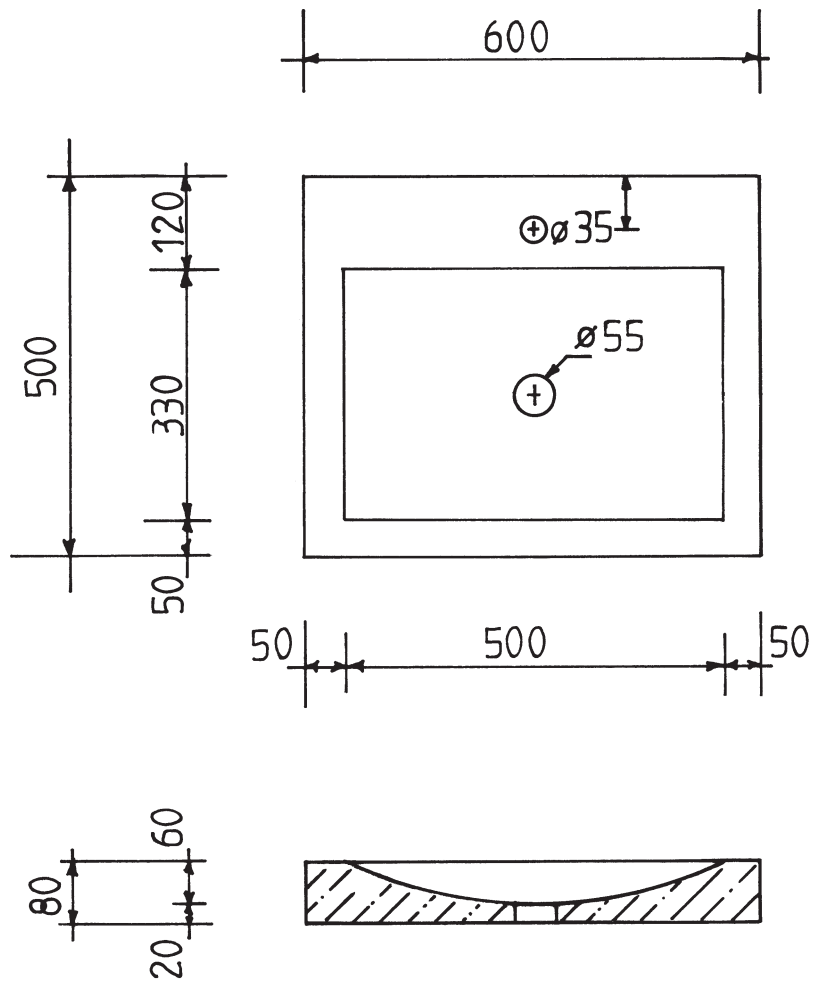


NOT TO SCALE



Model

**LOCARNO 1**

File

DO3-LA-013

Product

Waskommen / Lavabos

Date

19/05/03

KERGER nv/sa - Handelslaan 4 Avenue du Commerce - B-7850 EDINGEN / ENGHEN  
Tel 02 395 60 33 - Fax 02 395 60 86 - e-mail: geert.kerger@skynet.be

Page

1/1