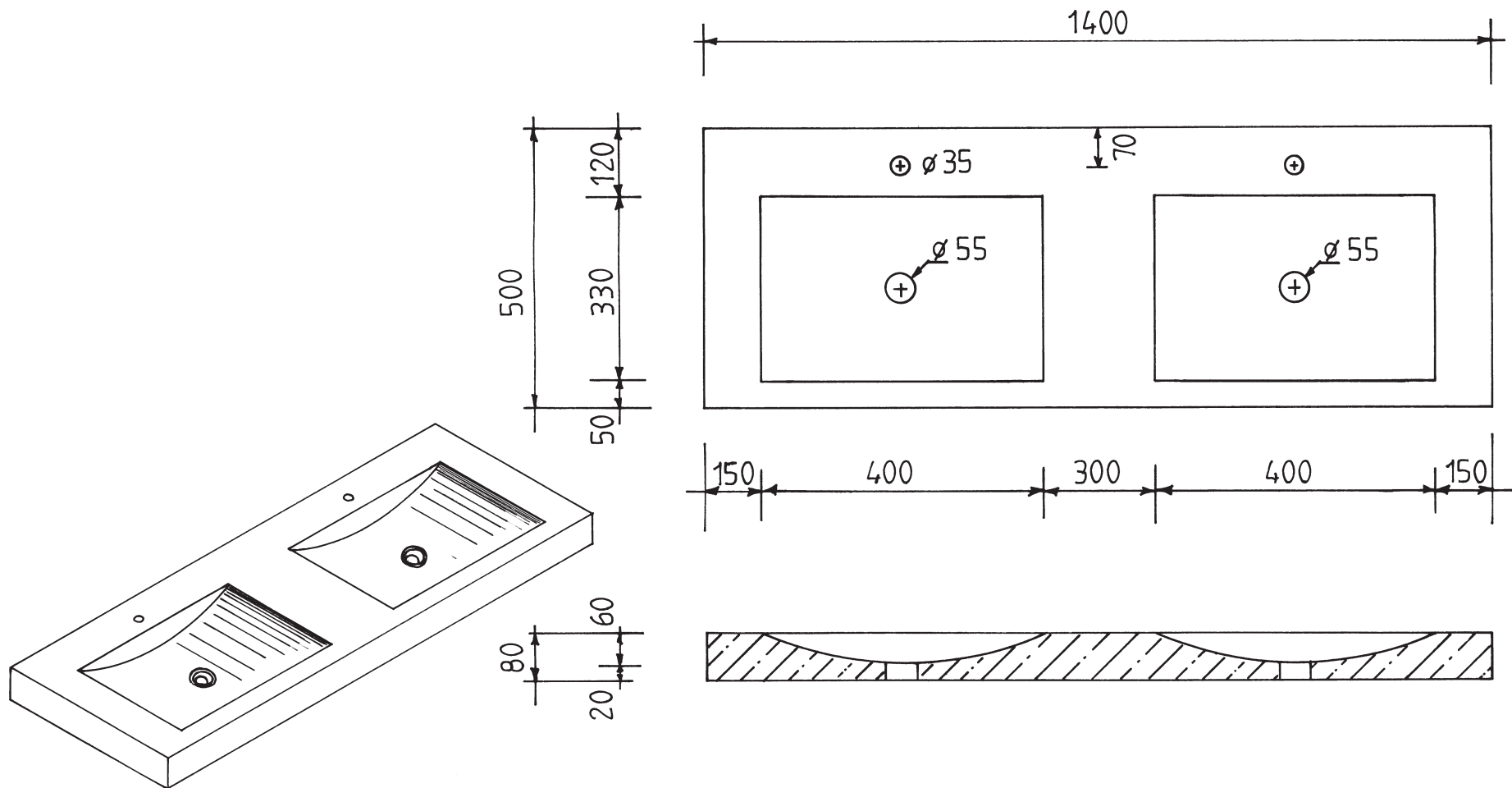


NOT TO SCALE



Model	LOCARNO 2	File	D03-LA-014
Product	Waskommen / Lavabos	Date	19/05/03
KERGER nv/sa - Handelslaan 4 Avenue du Commerce - B-7850 EDINGEN / ENGHEN Tel 02 395 60 33 - Fax 02 395 60 86 - e-mail: geert.kerger@skynet.be		Page	1/1