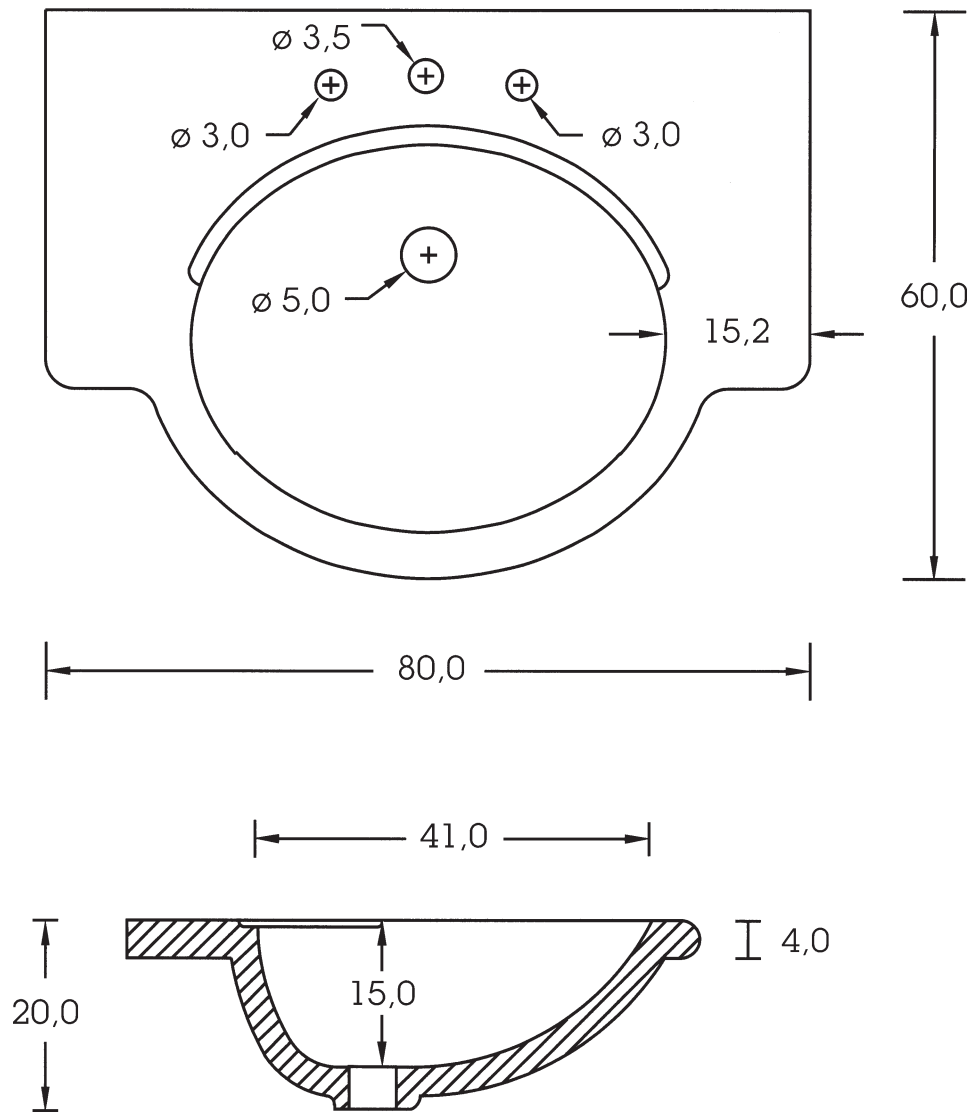


NOT TO SCALE



Model	<b>VITTEL</b>	File	DO3-LA-012
Product	Waskommen / Lavabos	Date	21/04/03
KERGER nv/sa - Handelslaan 3 Avenue du Commerce - B-7850 EDINGEN / ENGHEN Tel 02 395 60 33 - Fax 02 395 60 86 - e-mail: geert.kerger@skynet.be		Page	1/1